

General information

Dear User,

in the following instructions, step by step descriptions are provided for the installation of the îd-Technik Cable Clamps and accessories. It is important that the sequence of the assembly steps is adhered to, without any deviations or changes. Only employ trained staff.

Important: For an appropriate use and to guarantee an optimized installation all components, such as Cable Clamps, Elastic Inlays, cables, trailing cables etc. need to be clean and dust free!

Liability and warranty

The information shown in these assembly instructions describes approved methods for safe and proper handling of îd-Technik products. They incorporate the requirements of applicable industry standards and regulations, as well as state-of-the-art cable support and restraint developments and the experience gained by îd-Technik through many years of assisting in a wide range of cable system applications.

It should be noted that the illustrations are not drawn to scale. These assembly instructions must be read in their entirety and fully understood before starting any work! The manufacturer assumes no liability for damage and malfunctions resulting from the use of non-approved installation methods.

Intended use

The operational safety of the îd-Technik products is guaranteed provided the products are used as intended. In order to ensure optimum performance and avoid hazards, these products must not be modified, extended or changed in any manner without the express approval of the manufacturer. Any use of these products other than in the manner described in these instructions is prohibited and is considered to be improper use.

îd-Technik GmbH and/or its authorised representatives are not liable for any claims resulting from improper use of the products. The operator alone is liable for any damage or injury caused by improper use of, or changes to, the products.

The manufacturer reserves the right to make technical changes to the instructions.

The special Elastic Inlays must ONLY be inserted into îd-Technik Clamps, not fixed, with the ribs facing the cable and running parallel to the cable.

Changes to the products

In order to avoid hazards and to ensure optimum performance, the products may not be modified, extended or changed if not expressly approved by the manufacturer.

In order not to jeopardise the retention, the Elastic Inlays should not be fixed. On-site fixing with any form of adhesive (e.g. glue, silicone or paste) and / or use with third-party products will void the warranty immediately.

For further details contact îd-Technik, please. Technical changes and errors reserved. The information presented in these manuals is intended for the guidance of authorized users of the îd-Technik products. Copyright law and intellectual property rights protect all of the content of the îd-Technik manuals and catalogues, including all text, drawings, pictures and other product representations. Reproduction, communication, or other use of this proprietary information is not permitted without prior written consent from îd-Technik GmbH.

Assembly instructions for VR Series

Selection of fastening material:

Material and corrosion resistance:

the choice of material for the fasteners is dependent on the installation environment and operating conditions (e.g. galvanised, stainless steel, etc.), strength grade 4.8 - 8.8

Type of screw:

depends on the substructure (e.g. hexagon screws, T-head screws, etc.); not included in delivery

Fastening diameter:

depends on the Cable Clamp (dimension: metric screw thread size [M])

Fastening length:

depends on the number of stacked VR-Series. Cable Clamp dimension and type of substructure

Application with Elastic Inlays:

on-site fixing with any form of adhesive (e.g. glue, silicone or paste) will void the warranty immediately

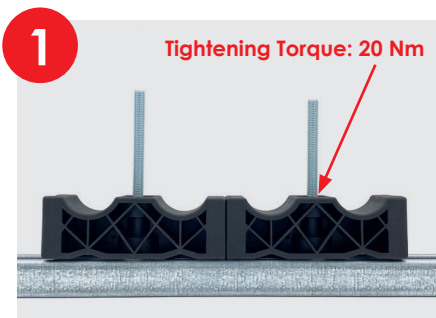
List of individual components:

Clamps for parallel fastening type	Outer diameter of cable	Metric screw thread size (M)	Recommended thread length*
VR2 12-45	21-45 mm**	M 12	125 mm + x
VR3 12-45	21-45 mm**	M 12	125 mm + x

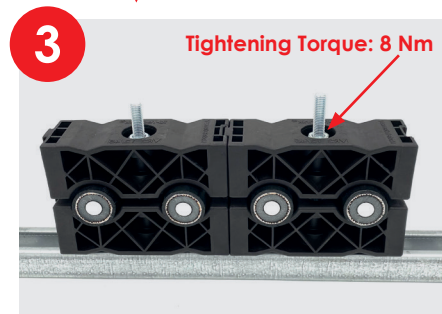
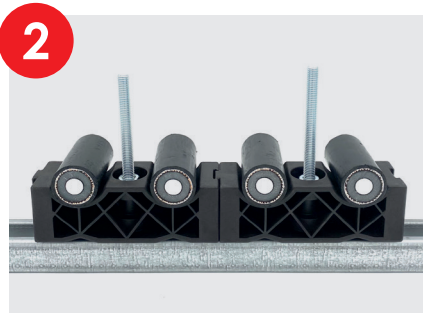
* For maximum permitted outer cable diameter (can be reduced accordingly for smaller diameters)

** Contact id-Technik for diameter 12-21 mm, please.

X corresponds to the height of the substructure.



Only flat washers may be used. No spring or snap rings!



Alternating, tighten nuts with an appropriate torque wrench. Do not use self-securing/self-locking nuts, this prohibits a defined tightening torque. Tightening Torque for more rows of VR-Series: 8 Nm

It is essential to respect the specified tightening torques, especially for the top part, to guarantee perfect and reliable functioning of the cable installation for the long-term.***

*** Contact id-Technik for trailing cables (EPDM, rubber, etc.), please.