

Elastic Inlays (EE)

Application:

- Padding of cables (for outer cable diameters ≥ 60 mm) for elastic compression of diameter variations to avoid damaging of cables caused by changes of load and ambient temperature
- Precise cable fixation and absorption of weight forces, primarily on cables installed along inclines or attached to vertical surfaces where restraint of axial movement is essential
- Compensation of vibrations, e.g. in wind turbines, without reducing retention forces
- Expansion of the Clamp's clamping area, for cables with a smaller outer diameter
- To assist with mounting, Cable Clamps can be supplied with the Elastic Inlays cut to size and fixed in our factory (ONLY K, KT, KS, KP)

Material:

EPDM, one-side ribbed, black

Properties of Elastic Inlays:

- Suitable for outdoor or indoor use on cable installations where ambient temperatures may range from -60°C to $+120^{\circ}\text{C}$
- The Elastic Inlays are highly flexible due to their unilateral convex shaping (groove structure)
- The elasticity of the Inlay absorbs vibrations and moderates vibration transfer to the cables
- Constant inlay-elasticity down to -60°C
- The physical characteristics of Elastic Inlays resist changes despite exposure to changing pressure and temperature conditions; this ensures decades of continuous functionality
- Highly resistant to UV, ozone and salt spray conditions
- Excellent chemical resistance
- Recyclable

Legal compliance

- Directive 2015/863/EU (RoHS)
- Regulation (EC) No. 1907/2006 (REACH regulation)

Delivery in pieces



Dimensions: 150 mm (W) x 140 mm (L)
100 mm (W) x 100 mm (L)

Delivery in rolls

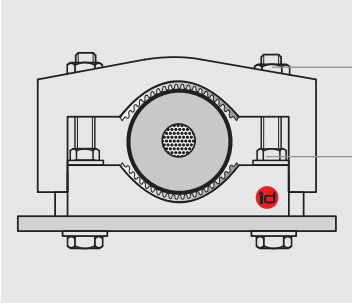


Dimensions: 150 mm (W) x 4.2 m (L)
100 mm (W) x 3 m (L)

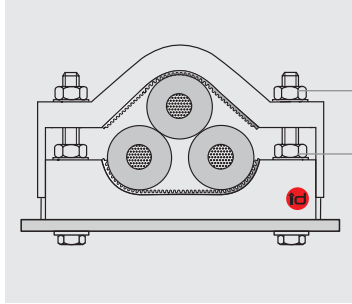
Elastic Inlay 150 mm x 140 mm for KR 130/160, KR 160/200, KR 200/250, KH 115/140 and KH 138/165
Elastic Inlay 100 mm x 100 mm for all other Cable Clamps

ELASTIC INLAYS MOUNTING EXAMPLES

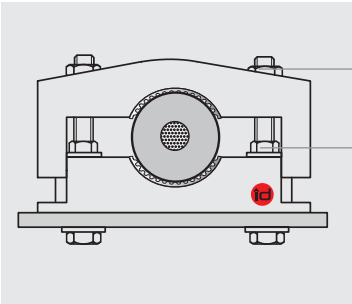
The special Elastic Inlays must **ONLY** be inserted into **id-Technik Clamps**, not fixed, with the ribs facing the cable and running parallel to the cable. On-site fixing with any form of adhesive (e.g. glue, silicone or paste) and / or use with third-party products will void the warranty immediately.



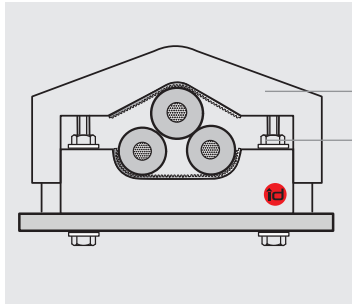
Tightening Torque: 5 Nm
Tightening Torque: 20 Nm
◀ Series K with two Elastic Inlays



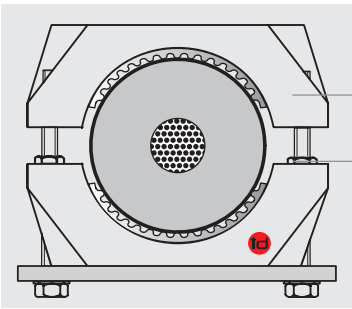
Tightening Torque: 5 Nm*
Tightening Torque: 15 Nm
◀ Series KS with Elastic Inlays



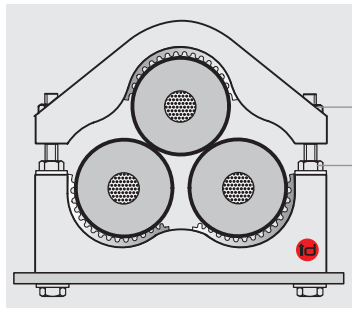
Tightening Torque: 5 Nm
Tightening Torque: 20 Nm
◀ Series KT with two Elastic Inlays



Tightening Torque: 8 Nm
Tightening Torque: 15 Nm
◀ Series KP with Elastic Inlays



Tightening Torque: 8 Nm
Tightening Torque: 20 Nm
◀ Series KR with two Elastic Inlays



Tightening Torque: 8 Nm
Tightening Torque: 15 Nm
◀ Series KH with three Elastic Inlays

Legal compliance

- Directive 2015/863/EU (RoHS)
- Regulation (EC) No. 1907/2006 (REACH regulation)

* For more information contact id-Technik, please.