



KT SERIES with factory fixed Elastic Inlays (EE)

**100%
MADE IN
GERMANY**

PROPERTIES

- Resistance to:** Ultraviolet rays, ozone, mineral oils, fuels, salts, alkalis, alcohol, hydrocarbons, ketones, ether, termites and radioactive rays*
- Flame resistance:** UL94 5VA (IEC 60695-11-20)
UL94 V-0 (IEC 60695-11-10)
IEC 61914 following IEC 60695-11-5
Classification following DIN 5510, part 2 Flammability class: S3
- Thermal expansion:** 0.01% per 10°C temperature increase
- Tensile strength:** 120 N/mm²
- Flexural strength:** 210 N/mm²

TEMPERATURE RANGE

- Ambient temperature:** down to -60°C*
- Continuous operation:** up to 120°C
- Permitted short-term heating:** up to 220°C
- Operation life:** more than 45 years of maintenance- and failure-free operation

MATERIAL

High-grade polyamide, fibreglass-reinforced, coloured black, with special UV protection, fully recyclable, self-extinguishing, low-smoke, zero halogen (LSZH), non-toxic, non-corrosive, non-metallic, non-magnetic, silicone free

Applications:

Fastening of single- and multi-core cables, for high short circuit fores. Universal application indoors and outdoors between -60°C and +120°C. Fastening in single, parallel and bundled formation.

Outer diameter of cables:

19 mm to 36 mm

Dynamic resistance to short circuits:

25000 N

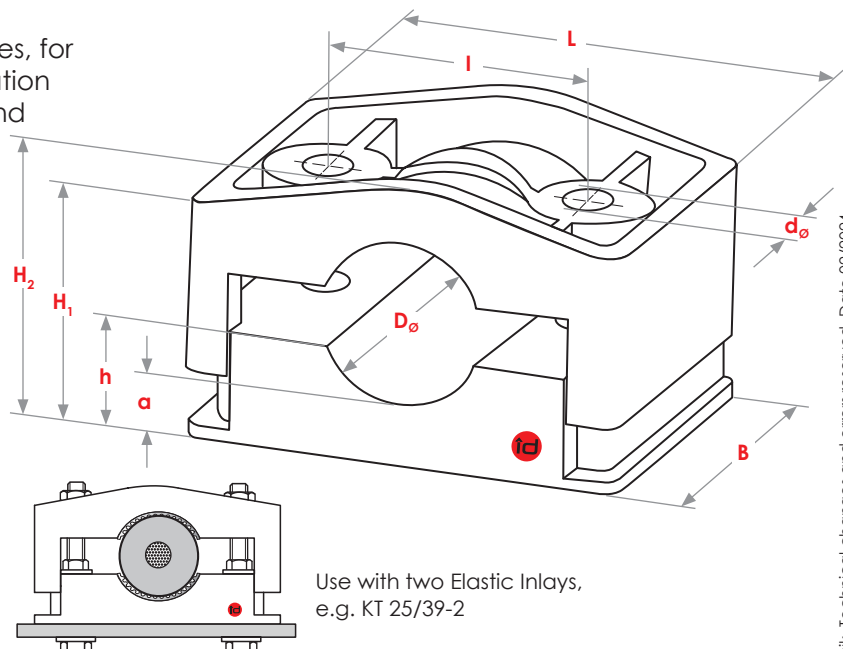
Tightening Torque for fixing material:

Top part: 5 Nm**
Bottom part: 20 Nm

Material Elastic Inlay:

EPDM, one-side ribbed

Dimensions in mm



Use with two Elastic Inlays, e.g. KT 25/39-2

Type	D ₀₊	D ₀₊₊	L	B	I	H ₁	H ₂	h	a	d ₀	Screw thread
KT 25/39-1	22 - 36	-	107	60	65	46-60	55-69	27	15	13	M 12
KT 25/39-2	-	19-33	107	60	65	46-60	55-69	27	15	13	M 12

D₀: Outer cable diameter
D₀₊: ~ with one Elastic Inlay
D₀₊₊: ~ with two Elastic Inlays

* For more information contact id-Technik, please.
** Contact id-Technik for trailing cables (EPDM, rubber, etc.), please.

For further details, please contact id-Technik. Technical changes and errors reserved. Date 02/2024
The information presented in these manuals is intended for the guidance of authorized users of the id-Technik products.
Copyright law and intellectual property rights protect all of the content of the id-Technik manuals and catalogues, including all text, drawings, pictures and other product representations. Reproduction, communication, or other use of this proprietary information is not permitted without prior written consent from id-Technik GmbH.

Legal compliance

- Directive 2015/863/EU (RoHS)
- Regulation (EC) No. 1907/2006 (REACH regulation)

Constructional features

- Particularly high dynamic and mechanical strength and heat resistance due to special fibreglass-reinforced polyamide
- Safe restraint of dynamic forces of high short circuit currents, without damage to the cables, also for multiple short circuits
- Following the tests to IEC 61914 – cable cleats for electrical installations - reports from accredited institutes regarding dynamic short circuit currents, the fire-resistance of the material, and mechanical properties of the Cable Clamps are available
- Very low surface pressure on cables due to Cable Clamps' large contact area
- Universal application both indoor and outdoor in extreme climates such as deserts, tropics, high altitudes, arctic climate, coastal salt fogs, flooding and ozone due to special resistance to ageing, ultraviolet rays and ozone
- Easy to mount without special instruments and maintenance-free
- Fastening of Cable Clamps adaptable to all local conditions

Following the tests to IEC 61914 on Series KS Cable Clamps approved results in highest classification

Classification	Test conditions	Approved results	Paragraph
Material: non-metallic	high-grade polyamide		6.1.2
Operating temperature	-60°C / +120°C	passed	6.2
Resistance to impact	-60°C, 5 kg at 400 mm height	very heavy	6.3.5
Lateral load test (N) – in x-direction – in y-direction	+120°C	20000 N 30000 N	6.4.1
Axial load test (N) – without Elastic Inlays – with Elastic Inlays	+120°C	600 N 800 N	6.4.2
Dynamic resistance to short circuits (N) suited to withstand multiple short circuits	Peak short circuit current: 151 kA Cable Clamp spacing: 0,84 m	25000 N	6.4.4
UV-resistance	high	passed	6.5.1
Flame propagation	1 x 30s, needle flame method	passed	10.1 (IEC 60695-11-5)
	2 x 10s, 50 W test flame method	V-0	UL 94 V (IEC 60695-11-10)
	5 x 5s, 500 W test flame method	5VA	UL 94 5V (IEC 60695-11-20)
	3 min	S3	DIN 5510

Installation with Elastic Inlays:

- As a cushion for elastic adjustment of cable diameter changes due to operational load changes and/or changes in the ambient temperature
- Precise cable fixation and absorption of weight forces, primarily on cables installed along inclines or attached to vertical surfaces where restraint of axial movement is essential
- Compensation of vibrations, e.g. in wind turbines, without reducing retention forces
- Expansion of the Clamp's clamping area, for cables with a smaller outer diameter