



KS-Tower SERIES WITH ADAPTER SET ***

PROPERTIES

- Resistance to:** Ultraviolet rays, ozone, mineral oils, fuels, salts, alkalis, alcohol, hydrocarbons, ketones, ether, termites and radioactive rays*
- Flame resistance:** UL94 5VA (IEC 60695-11-20)
UL94 V-0 (IEC 60695-11-10)
IEC 61914 following IEC 60695-11-5
Classification following DIN 5510, part 2 Flammability class: S3
- Thermal expansion:** 0.01% per 10°C temperature increase
- Tensile strength:** 120 N/mm²
- Flexural strength:** 210 N/mm²

TEMPERATURE RANGE

- Ambient temperature:** down to -60°C*
- Continuous operation:** up to 120°C
- Permitted short-term heating:** up to 220°C
- Operation life:** more than 45 years of maintenance- and failure-free operation

MATERIAL

High-grade polyamide, fibreglass-reinforced, coloured black, with special UV protection, fully recyclable, self-extinguishing, low-smoke, zero halogen (LSZH), non-toxic, non-corrosive, non-metallic, non-magnetic, silicone free

Applications:

For trefoil formation and stacked fastening of single- and multi-core cables. Universal application indoors and outdoors between -60°C and +120°C.

Outer diameter of cables:

25 mm to 46 mm

Dynamic resistance to short circuits:

10000 N

Tightening Torque for fixing material:

Lowest bottom part: 15 Nm
All other parts: 5 Nm**

Double-Tower:

2 complete Clamps plus Adapter Set

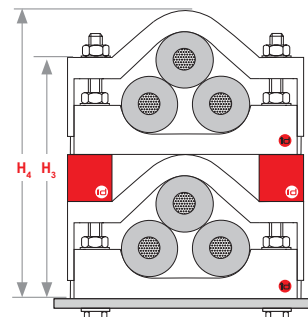
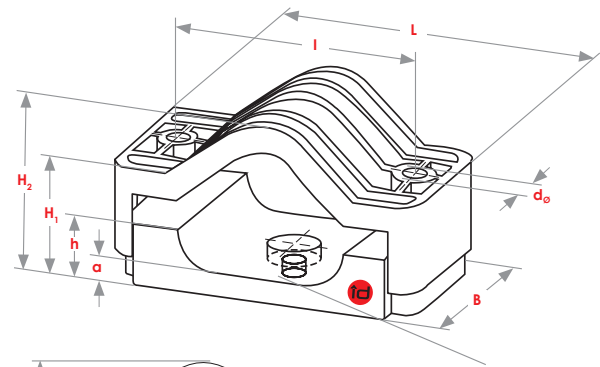
Legal compliance

- Directive 2015/863/EU (RoHS)
- Regulation (EC) No. 1907/2006 (REACH regulation)

Dimensions in mm

Type	D _o	L	B	I	H ₁	H ₂	H ₃	H ₄	h	a	d _o	Screw thread
Double Tower KS 25/36-AS	25-36	150	80	110	55-75	77-97	141-181	163-203	33	17	12	M 10/12
Double Tower KS 33/46-AS	33-46	170	80	130	55-85	66-116	141-201	172-232	33	15	12	M 10/12

D_o: Outer cable diameter



For the fastening to the substraction the outer screw holes are to be used (not the center hole!)

* For more information contact id-Technik, please.
** Contact id-Technik for trailing cables (EPDM, rubber, etc.), please.
*** Universal Adapter Set, suitable for all KS-Clamps