

# RS SERIES

## PROPERTIES

- Resistance to:** Ultraviolet rays, ozone, mineral oils, fuels, salts, alkalis, alcohol, hydrocarbons, ketones, ether, termites and radioactive rays\*
- Flame resistance:** UL94 5VA (IEC 60695-11-20)  
UL94 V-0 (IEC 60695-11-10)  
IEC 61914 following IEC 60695-11-5  
Classification following DIN 5510, part 2 Flammability class: S3
- Thermal expansion:** 0.01% per 10°C temperature increase
- Tensile strength:** 120 N/mm<sup>2</sup>
- Flexural strength:** 210 N/mm<sup>2</sup>

## TEMPERATURE RANGE

- Ambient temperature:** down to -60°C\*
- Continuous operation:** up to 120°C
- Permitted short-term heating:** up to 220°C
- Operation life:** more than 45 years of maintenance- and failure-free operation

## MATERIAL

High-grade polyamide, fibreglass-reinforced, coloured black, with special UV protection, fully recyclable, self-extinguishing, low-smoke, zero halogen (LSZH), non-toxic, non-corrosive, non-metallic, non-magnetic, silicone free

## Applications:

For variable fastening of single- and multi-core cables. Universal application indoors and outdoors between -60°C and +120°C. Parallel and stacked formation. For vertical fastening of VPE cables we recommend the use of Elastic Inlays.\*

## Outer diameter of cables:

12 mm to 45 mm\*\*

## Dynamic resistance to short circuits:

10000 N

## Axial retention:

400 N

## Tightening Torque for fixing material:

Lowest bottom part: 20 Nm  
All other parts: 8 Nm\*\*

## Dimensions in mm

Type	D <sub>o</sub>	L <sub>1</sub>	B	I	h	H <sub>1</sub>	H <sub>2</sub>	H <sub>3</sub>	c	d <sub>o</sub>	Screw thread
RS3 12/45	12-45	202	53	75	51	105-130	159-209	213-288	75	13	M 12

D<sub>o</sub>: Outer cable diameter

\* For more information contact id-Technik, please.

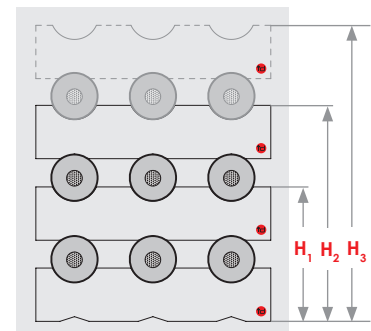
\*\* Contact id-Technik for diameter 12-21 mm, please.

\*\*\* Contact id-Technik for trailing cables (EPDM, rubber, etc.), please.

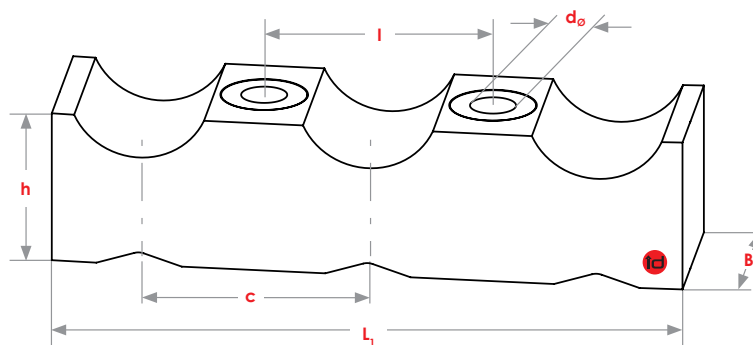
## Legal compliance

- Directive 2015/863/ EU (RoHS)
- Regulation (EC) No. 1907/2006 (REACH regulation)

## Mounting example



Dimensions for cable outer diameter 21-45 mm.



For further details, please contact id-Technik. Technical changes and errors reserved. Date 02/2024  
The information presented in these manuals is intended for the guidance of authorized users of the id-Technik products.  
Copyright law and intellectual property rights protect all of the content of the id-Technik manuals and catalogues, including all text, drawings, pictures and other product representations. Reproduction, communication, or other use of this proprietary information is not permitted without prior written consent from id-Technik GmbH.